

AR-V6005FL

Fanless In-Vehicle system, Intel Atom E640
with smart power onboard, GPS/3.5G/WiFi/Bluetooth option

In-Vehicle Computer



Features

- Intel ATOM E640 1.0 GHz Processor
- VGA/DVI Dual Independent Video Outputs
- One CAN 2.0A/2.0B Interface
- 1-Wire i-Button interface for Driver ID and Sensors
- 4x Digital Inputs and 4 Digital Outputs
- Anti-Vibration/Shock Disk Bay and CF socket
- Internal 3.5G, GPS, WiFi, Bluetooth Modules (Optional)
- Combo connector to simplify touch monitor installation



Specification

System	
CPU	Intel ATOM E640 1.0 GHz
Chipset	Intel EG20T
Memory	DDR2 pre-install 1GB on board
Video	
Graphic Controller	Integrated 2D/3D engine, supports MPEG2, MPEG4, VC1, WMV9, H.264 and DivX video decode and MPEG4, H.264 encode
Video Memory	DVMT, Maximum 64MB
Video Interface	<ul style="list-style-type: none"> ● 1 x DVI connector ● 1 x Combo connector (VGA/USB/Audio/12VDC)
Storage	
SATA	1 x SATAII connector with power connector
CF	1 x CF slot (Type I/Type II), support UDMA
Disk Bay	1 x swappable 2.5" HDD bay with Anti-vibration / Anti-shock solution
I/O	
Expansion Slot	2 x miniPCIe (For Optional 3.5G / WiFi module only)
Ethernet	1 x Gbps Intel GbE Chip via RJ-45 connector
USB	6 x USB2.0 (1 x External port, 2 x Internal pin head, 2 x Mini PCIe Slot, 1 * COMBO connector)
Serial Port	<ul style="list-style-type: none"> ● 2 x RS232 (2 x DB9) ● 1 x RS232/422/485 (DB9, switch selectable) ● 1 x Serial port (TTL level) directly link to Power board PIC(For Power board user mode setting and get information) ● 1 x Serial port for CAN bus and I-Button PIC
GPIO	8-bit GPIO (4 In, 4 Out)
Antenna Hole	1 x SMA for GPS, 1 x SMA for 3.5G, 2 x SMA for WiFi, 1 x SMA for Bluetooth
SIM	SIM Slot x 1, SIM card changeable without opening case
iButton	1-Wire interface for driver ID and sensors
CAN BUS	Support CAN 2.0A/2.0B protocol
miniPCIe	2 x miniPCIe : <ul style="list-style-type: none"> ● miniPCIe1 for 3.5G card (Reserve SIM interface) ● miniPCIe2 for WiFi or Capture card

Others	
Audio	Audio Codec (Line-out & MIC)
Hardware Monitoring	CPU voltage and temperature
WatchDog Timer Indicator	Software programmable 1~255 sec Power / HDD/ Status LED

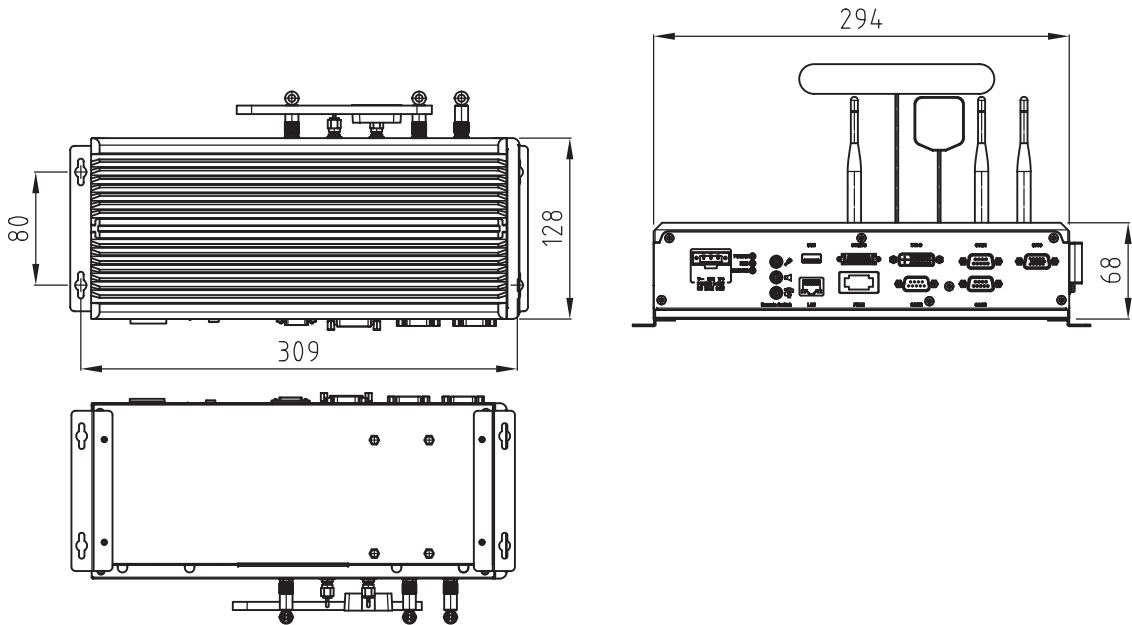
Software	
OS Support	Windows XP, Windows 7, Fedora 14, Ubuntu 10

Power Requirement	
Control	<ul style="list-style-type: none"> ● Ignition or ignition and remote switch ● Software Programmable On/OFF delay time
Monitor	Programmable Low Voltage Input threshold for automatically shut down
Indicator	Status LED for easy diagnostic
Safety	ISO-7637-2, E-Mark Certification
Power Input	9~32 V (+/-5%) single voltage input, 3 poles terminal block
Power Consumption	Max 19W

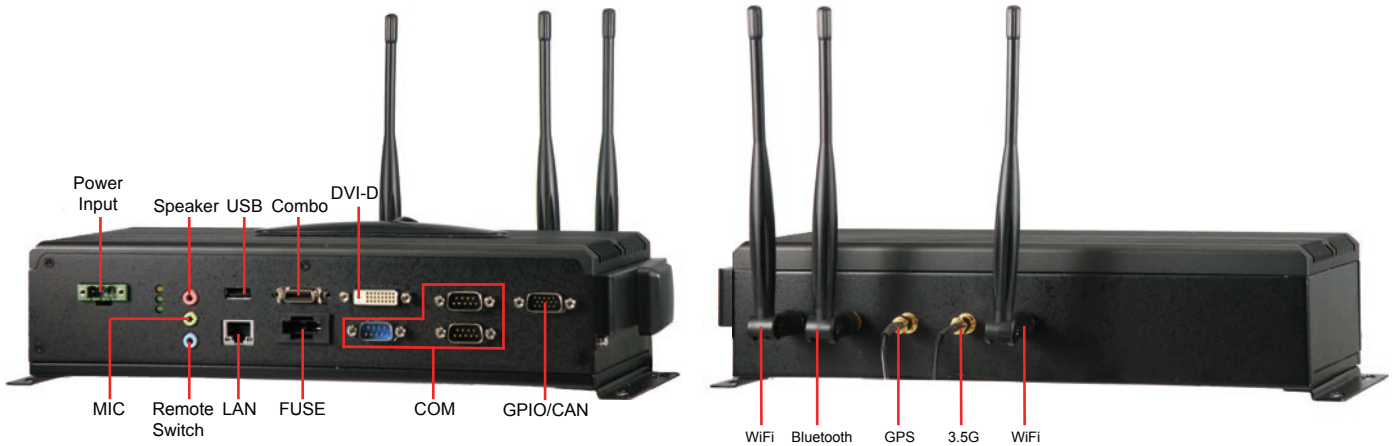
Mechanical & Environment	
Thermal Design	Fanless
Chassis Material	Metal SPGC
Vibration	IEC 60068-2-64, 5~500Hz, 3GRMS(CF/SSD), Operating with SSD
Shock	IEC 60068-2-27, 50G 500m/s ² 11MS, Operating with SSD
Dimension	294mm x 128mm x 68mm
Weight	2.4KG
Operating Temp.	-20~60°C (-4~140°F) for SSD
Storage temp.	-40~80°C (-40~176°F)
Relative Humidity	0 ~ 90% @ 40°C, non-condensing
Safety	CE, FCC class B, E-Mark

Optional Modules	
GPS	u-blox 5 chip, 2.5 meter accuracy
3.5G	Sierra MC8790, UMTS/HSPA and quad-band GSM/GPRS/EDGE
WiFi	802.11 b/g/n, supports client and access point modes
Bluetooth	Bluetooth 2.1 + Enhanced Data Rate (EDR)

Distribue par Anteor - www.anteor.com - Tel : 01 61 37 07 00



I/O Connectors



Distribue par Anteor - www.anteor.com - Tel : 01 61 37 07 00

Packing List

- 1 x AR-V6005FL
- 1 x User Guide & System Driver CD
- 2 x Wall Mount Bracket
- 1 x Screw pack(2.5" HDD bracket: 4pcs)
- 1 x Terminal block female 3pin
- 1 x Spare Fuse 7.5A
- 1 x SATA & SATA power cable
- 1 x Remote Switch Cable
- 1 x One-to-one VGA to Combo Cable
- 1 x GPIO/CAN/Driver ID DB15 Connector

Ordering Information

AR-V6005FL AR-V6005FL with Intel Atom E640 1.0GHz, on board 1GB DDR2

Optional (Purchase Separately)

- 100070072** 1 x Sierra MC8790 3.5G module with RF cable, Cable Antenna
- 100070071** 1 x Huawei EM770W 3.5G module with RF cable, Cable Antenna
- 100070074** 1 x Wieson G5020-1 GPS module with RF Cable ,Cable Antenna (L=5M)
- 100070073** 1 x SparkLAN WPER-150GN WiFi module with RF Cable, Antenna x 2
- 100070070** 1 x Qcom QBTM400-01 bluetooth module with RF Cable, Antenna